



FOR
CHEVROLET SPARK A/C+ (03/10 >)



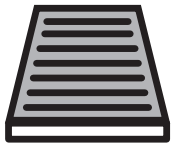
PROTECT

combined with
active carbon

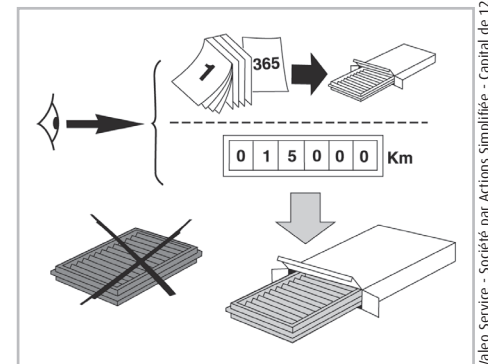
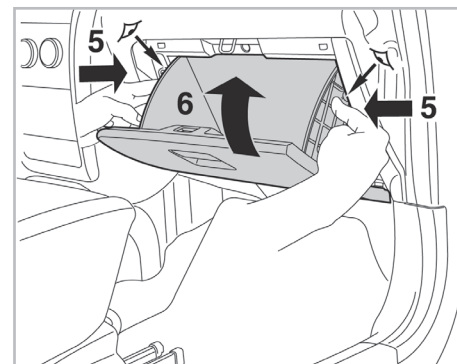
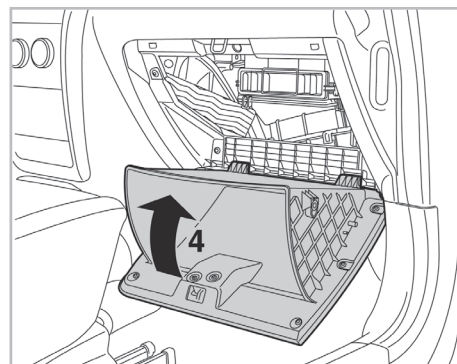
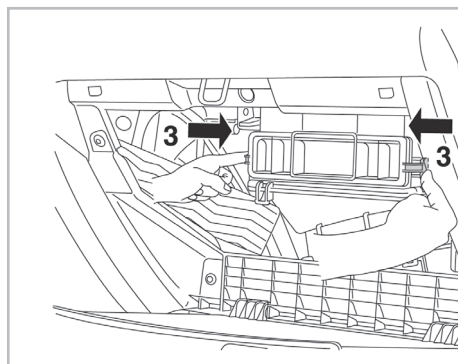
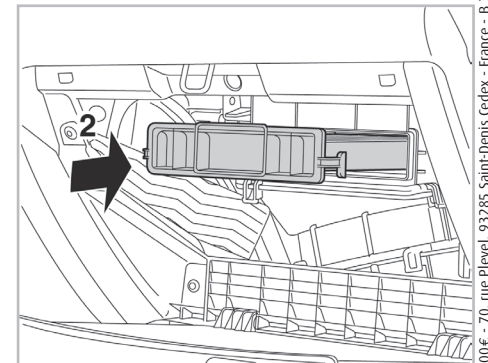
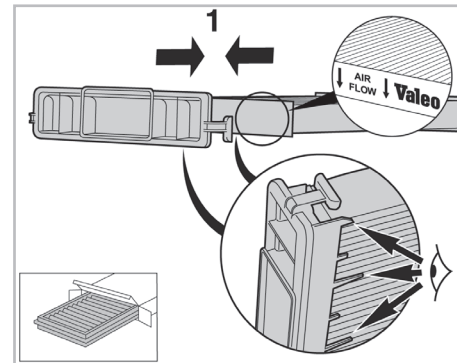
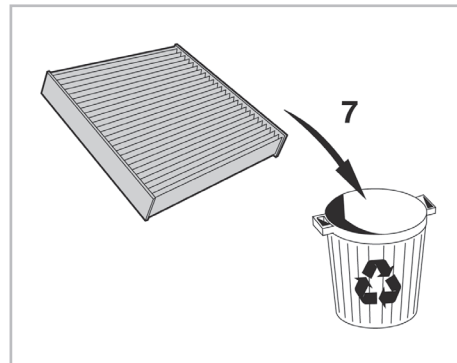
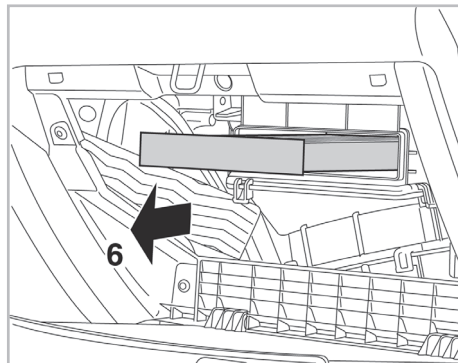
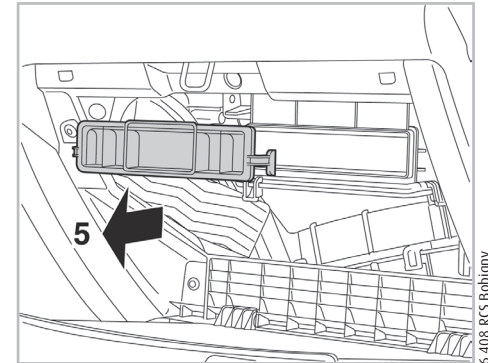
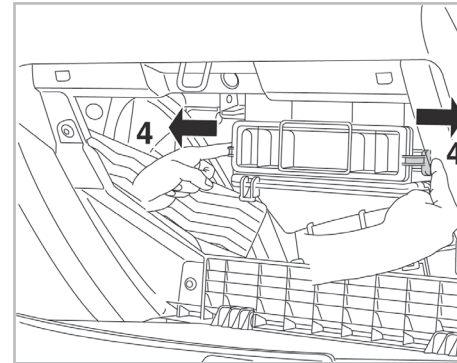
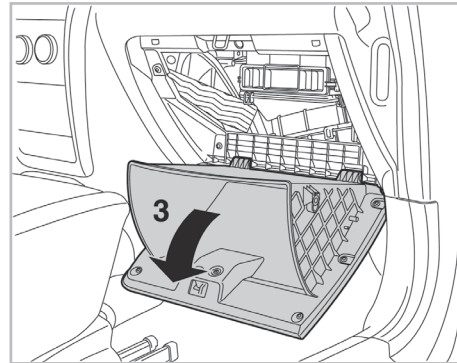
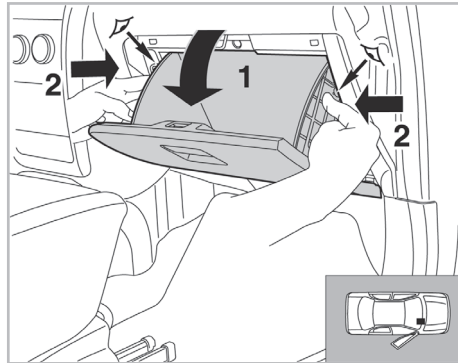


715710

FH175



CA



WANT TO
KNOW MORE?



www.valeo-techassist.com

Valeo Service - Société par Actions simplifiée - Capital de 12 900 000 € - 70, rue Playel, 93285 Saint-Denis Cedex - France - B 306 486 408 RCS Bobigny